

(12) INTERNATIONAL APPLICATION PUBLISHED UNDER THE PATENT COOPERATION TREATY (PCT)

(19) World Intellectual Property Organization
International Bureau



(43) International Publication Date
17 July 2003 (17.07.2003)

PCT

(10) International Publication Number
WO 03/058155 A1

(51) International Patent Classification⁷: F42B 33/06

(21) International Application Number: PCT/GB03/00044

(22) International Filing Date: 8 January 2003 (08.01.2003)

(25) Filing Language: English

(26) Publication Language: English

(30) Priority Data:
0200267.3 8 January 2002 (08.01.2002) GB

(71) Applicant and

(72) Inventor: ALFORD, Sidney, C. [GB/GB]; 41a Pickwick, Corsham, Wiltshire SN13 0HX (GB).

(74) Agent: FOX-MALE, Nicholas, H.; Eric Potter Clarkson, Park View House, 58 The Ropewalk, Nottingham NG1 5DD (GB).

(81) Designated States (national): AE, AG, AL, AM, AT, AU, AZ, BA, BB, BG, BR, BY, BZ, CA, CH, CN, CO, CR, CU,

CZ, DE, DK, DM, DZ, EC, EE, ES, FI, GB, GD, GE, GH, GM, HR, HU, ID, IL, IN, IS, JP, KE, KG, KP, KR, KZ, LC, LK, LR, LS, LT, LU, LV, MA, MD, MG, MK, MN, MW, MX, MZ, NO, NZ, OM, PH, PL, PT, RO, RU, SC, SD, SE, SG, SK, SL, TJ, TM, TN, TR, TT, TZ, UA, UG, US, UZ, VC, VN, YU, ZA, ZM, ZW.

(84) Designated States (regional): ARIPO patent (GH, GM, KE, LS, MW, MZ, SD, SL, SZ, TZ, UG, ZM, ZW), Eurasian patent (AM, AZ, BY, KG, KZ, MD, RU, TJ, TM), European patent (AT, BE, BG, CH, CY, CZ, DE, DK, EE, ES, FI, FR, GB, GR, HU, IE, IT, LU, MC, NL, PT, SE, SI, SK, TR), OAPI patent (BF, BJ, CF, CG, CI, CM, GA, GN, GQ, GW, ML, MR, NE, SN, TD, TG).

Published:

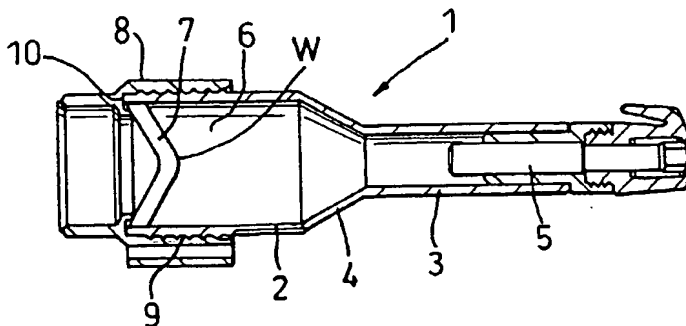
- with international search report
- before the expiration of the time limit for amending the claims and to be republished in the event of receipt of amendments

For two-letter codes and other abbreviations, refer to the "Guidance Notes on Codes and Abbreviations" appearing at the beginning of each regular issue of the PCT Gazette.



(54) Title: DEVICE FOR THE DISRUPTION OF EXPLOSIVE ORDNANCE

WO 03/058155 A1



(57) Abstract: A plurality of embodiments of disruptor all have a container with an enclosure for explosive material with a wall which can be located in any one of a number of different positions using one or more tubular spacers (12) optionally of various sizes thereby to provide a wide range of capacity of enclosure and hence explosive material.